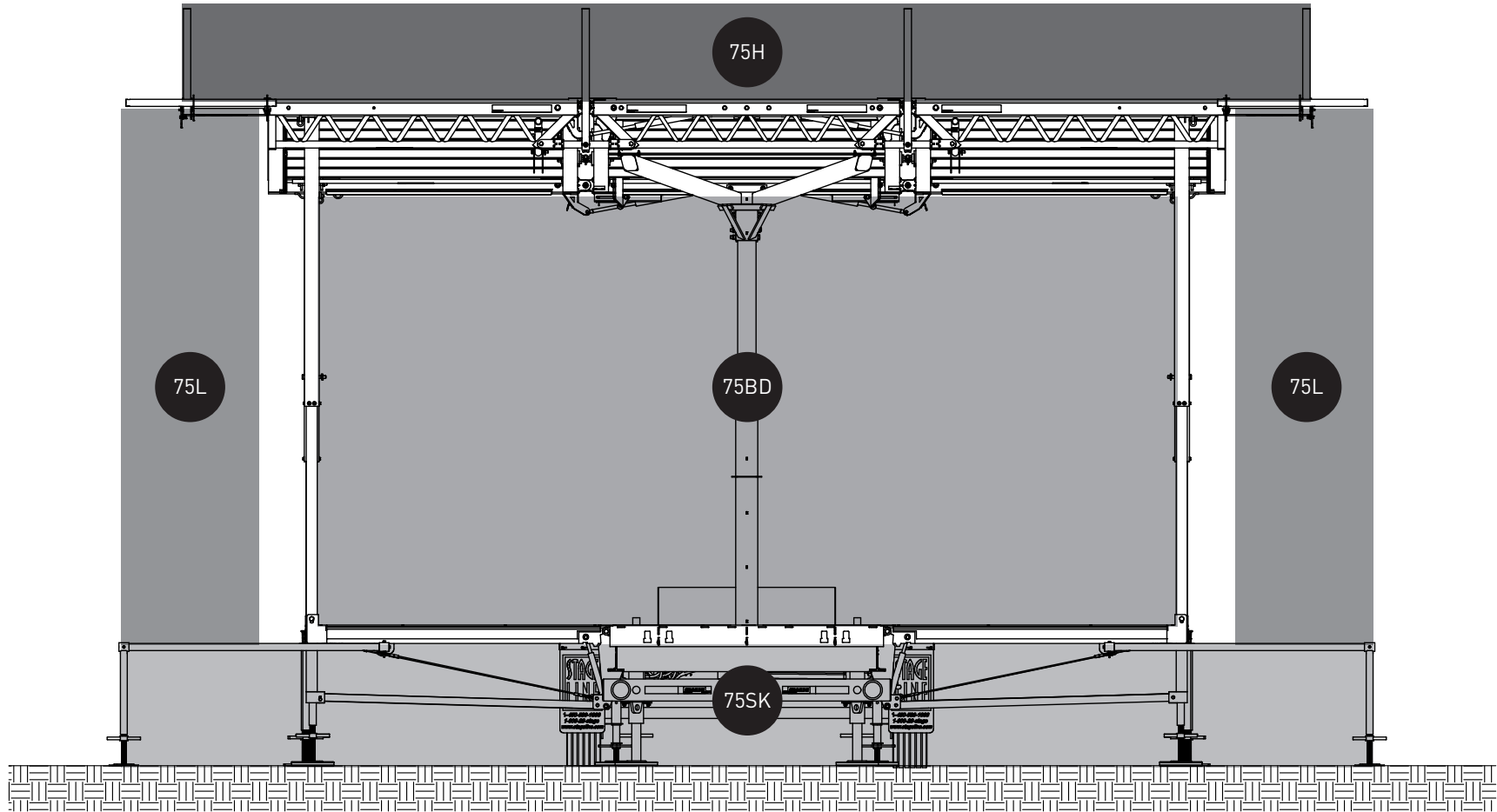


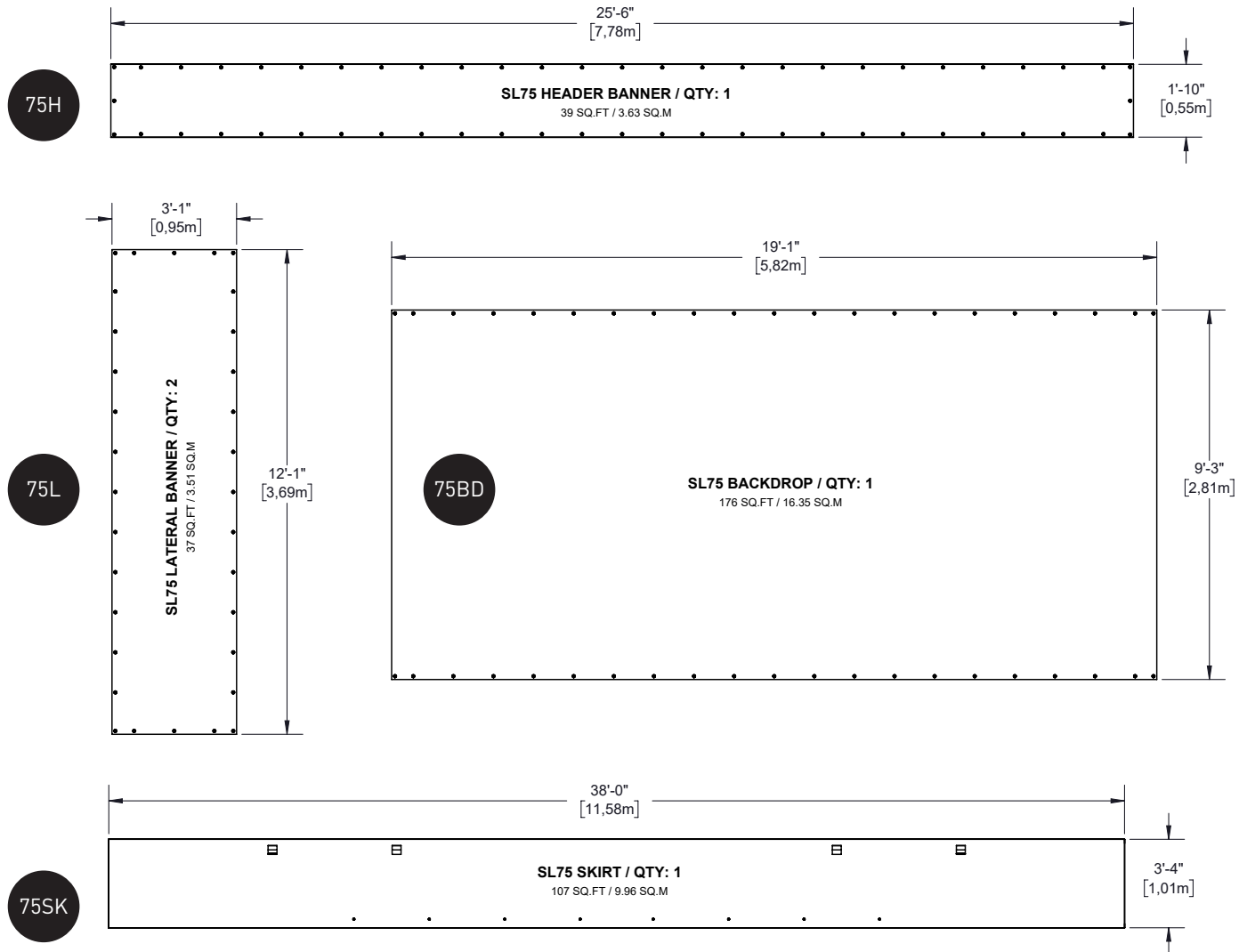


SL75
BANNERS & TRAILER
WRAP BOOK
2020



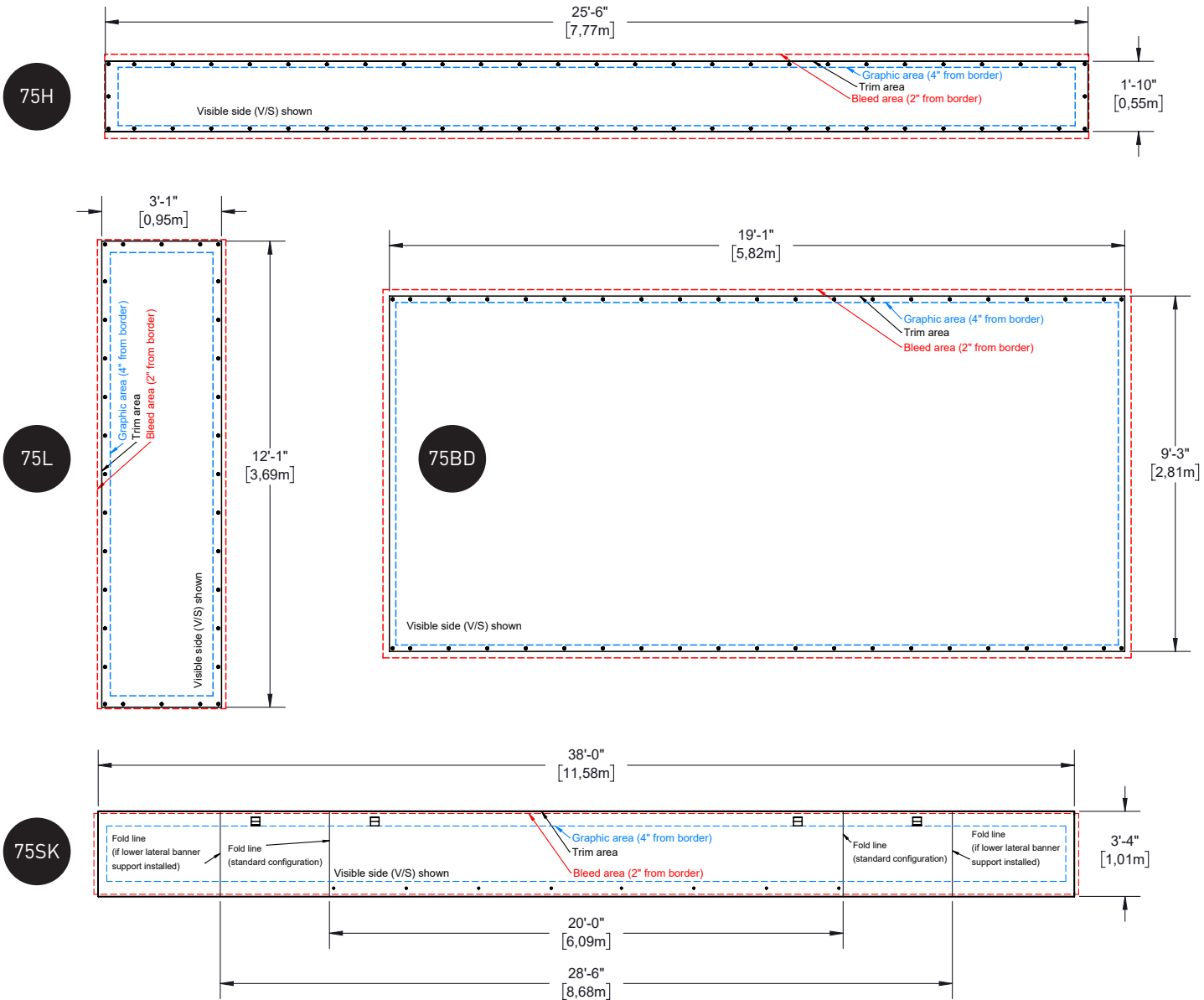
Drawings may show stage equipped with optional accessories. May be sold separately.

© 2020 - All rights reserved, Stageline Mobile Stage Inc. Any and all forms of adaptation or reproduction of this document including the plans plans and drawings found herein, in whole or in part, are strictly forbidden without the written authorisation of Stageline Mobile Stage Inc. Technical and stage specifications are subject to change without notice. Figures are nominal.



Drawings may show stage equipped with optional accessories. May be sold separately.

© 2020 - All rights reserved, Stageline Mobile Stage Inc. Any and all forms of adaptation or reproduction of this document including the plans and drawings found herein, in whole or in part, are strictly forbidden without the written authorisation of Stageline Mobile Stage Inc. Technical and stage specifications are subject to change without notice. Figures are nominal.



Drawings may show stage equipped with optional accessories. May be sold separately.

© 2020 - All rights reserved, Stageline Mobile Stage Inc. Any and all forms of adaptation or reproduction of this document including the plans and drawings found herein, in whole or in part, are strictly forbidden without the written authorisation of Stageline Mobile Stage Inc. Technical and stage specifications are subject to change without notice. Figures are nominal.

75H

75L

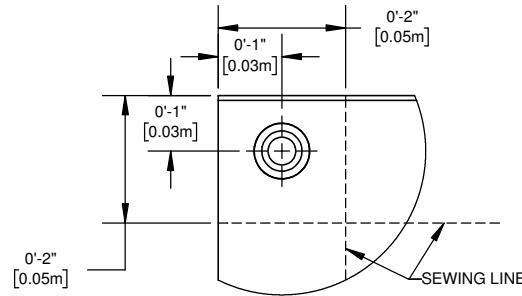
75BD

REQUIREMENTS:

- PVC webbing must be all in one piece. Otherwise, reinforce so that no strain is applied to the banner.
- Areas where welds begin and end must be reinforced with additional stitching.
- Include 12"x12" trimmings of the same material to allow for possible minor repairs.
- Supply one (1) tarpaulin bag for transportation purposes and identify its content.

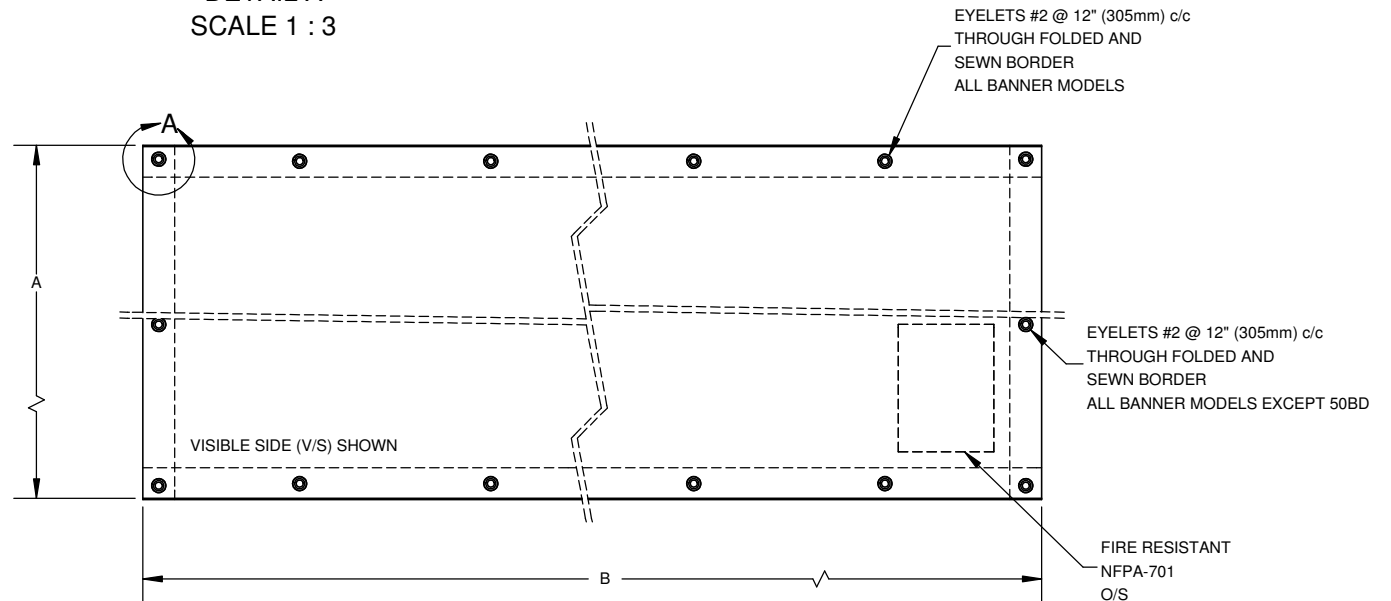
NOTES:

- "V/S" indicates the outside (visible side).
- "O/S" indicates the inside (opposite side).
- Notes on the drawing take precedence on those above.



	A	B
75H	1'-10" (0.56m)	25'-6" (7.77m)
75L	12'-1" (3.69m)	3'-1" (0.95m)
75BD	9'-3" (2.81m)	19'-1" (5.82m)

DETAIL A
SCALE 1 : 3



MATERIAL CHOICES: (must be NFPA 701 & CAN/ULC-S109 compliant):
70% Open Scrim/18oz Grey Vinyl/Backlight Satin White Weave/Poly Flex White Knit

Drawings may show stage equipped with optional accessories. May be sold separately.

© 2020 - All rights reserved, Stageline Mobile Stage Inc. Any and all forms of adaptation or reproduction of this document including the plans plans and drawings found herein, in whole or in part, are strictly forbidden without the written authorisation of Stageline Mobile Stage Inc. Technical and stage specifications are subject to change without notice. Figures are nominal.

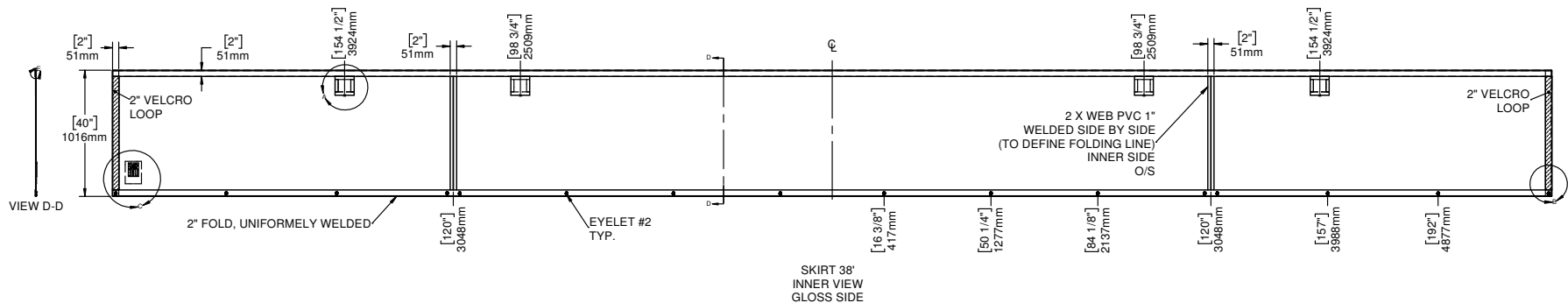
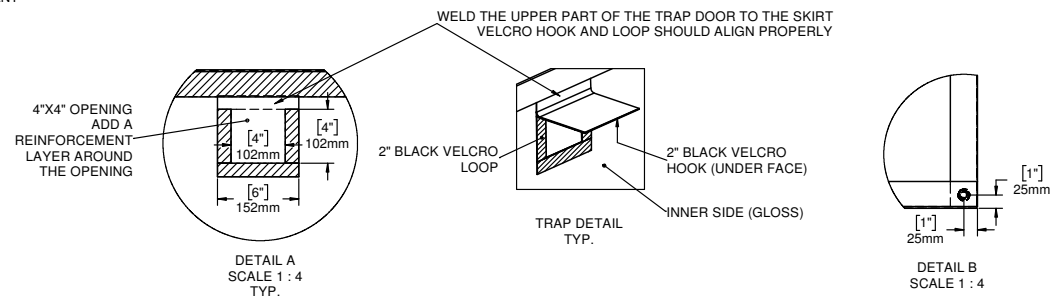
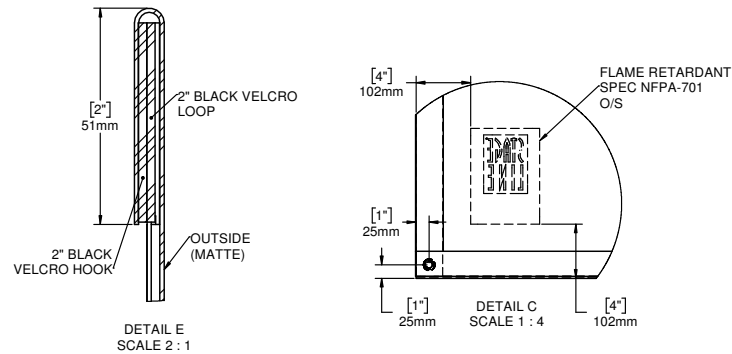
75SK

REQUIREMENTS:

- PVC webbing must be all in one piece. Otherwise, reinforce so that no strain is applied to the banner.
- Areas where welds begin and end must be reinforced with additional stitching.
- Include 12"x12" trimmings of the same material to allow for possible minor repairs.
- Supply one (1) tarpaulin bag for transportation purposes and identify its content.

NOTES:

- "V/S" indicates the outside (visible side).
- "O/S" indicates the inside (opposite side).
- Notes on the drawing take precedence on those above.



MATERIAL CHOICES: (must be NFPA 701 & CAN/ULC-S109 compliant):

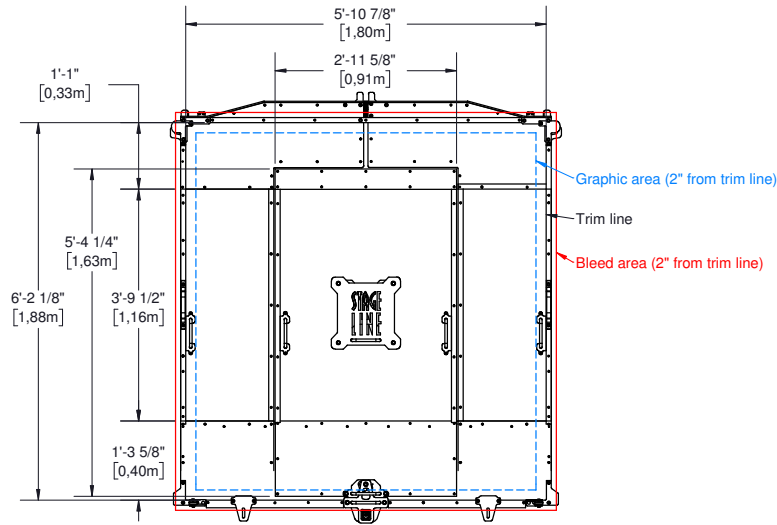
18oz Grey Vinyl

CAUTION: Compatible with skirt extensions 100-7604 REV # 6 and up.

Drawings may show stage equipped with optional accessories. May be sold separately.

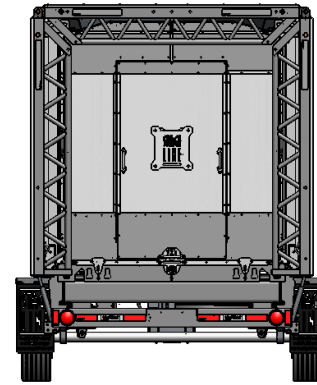
© 2020 - All rights reserved, Stageline Mobile Stage Inc. Any and all forms of adaptation or reproduction of this document including the plans plans and drawings found herein, in whole or in part, are strictly forbidden without the written authorisation of Stageline Mobile Stage Inc. Technical and stage specifications are subject to change without notice. Figures are nominal.

Detailed printing area

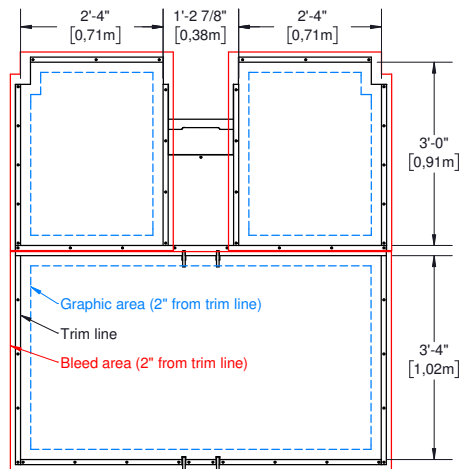


REAR VIEW
SCALE 1:30

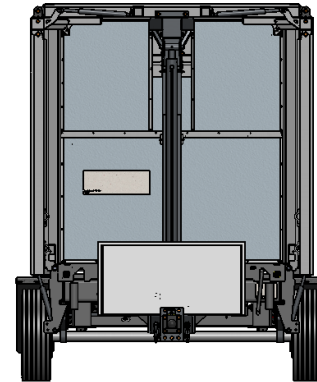
Representation on trailer



REAR VIEW
SCALE 1:50



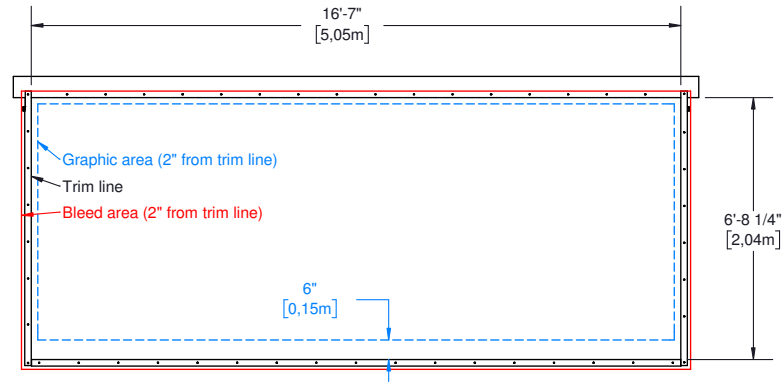
FRONT VIEW
SCALE 1:30



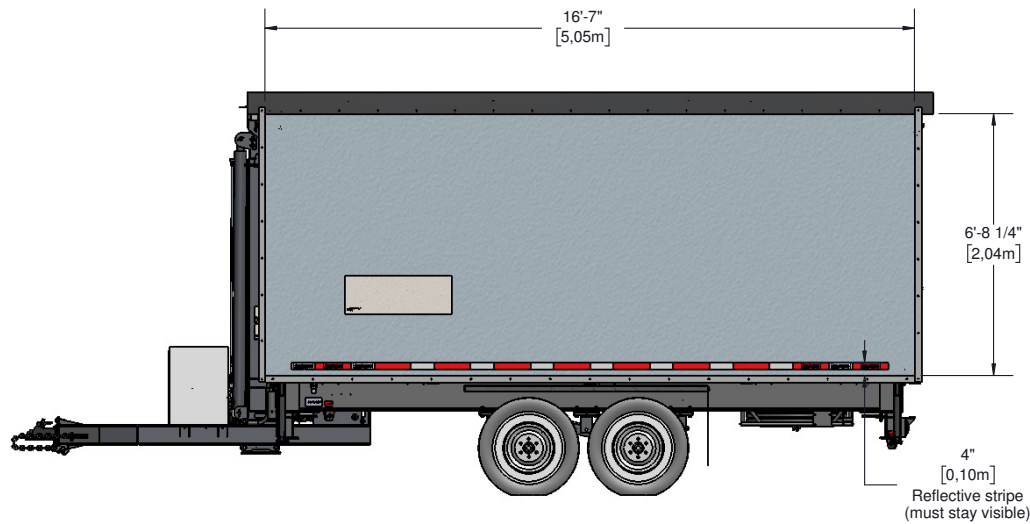
FRONT VIEW
SCALE 1:50

Drawings may show stage equipped with optional accessories. May be sold separately.

© 2020 - All rights reserved, Stageline Mobile Stage Inc. Any and all forms of adaptation or reproduction of this document including the plans and drawings found herein, in whole or in part, are strictly forbidden without the written authorisation of Stageline Mobile Stage Inc. Technical and stage specifications are subject to change without notice. Figures are nominal.



SIDE PANEL
SCALE 1:50
QTY. 2



SIDE VIEW
SCALE 1:50

Drawings may show stage equipped with optional accessories. May be sold separately.

© 2020 - All rights reserved, Stageline Mobile Stage Inc. Any and all forms of adaptation or reproduction of this document including the plans plans and drawings found herein, in whole or in part, are strictly forbidden without the written authorisation of Stageline Mobile Stage Inc. Technical and stage specifications are subject to change without notice. Figures are nominal.