

TRAILER

SPECIFICATIONS

Length	46' 3"	14.10 m
Width	8' 2"	2.49 m
Height	13' 2"	4.01 m
Storage Space	31' 7" x 5' 8" x 7' 8"	9.64 x 1.75 x 2.35 m
Storage Compartment	10" x 13" x 3' 7"	0.25 x 0.33 x 1.10 m
Storage Capacity	10000 lb	4536 kg
Weight	29400 lb	13335 kg

STAGE FLOOR

Length and Depth	32' x 24'	9.75 x 7.32 m
Length and Depth with Extension Platforms	56' x 32'	17.07 x 9.75 m
Height from Ground	3' 6" to 5' 3"	1.07 to 1.60 m
Design Live Load	100 lb/ft ²	490 kg/m ²
Type of Surface	Plywood on steel	

ROOF

Length and Depth	34' 5" x 27' 7"	10.50 x 8.41 m
Clearance (Inclined roof)	20' to 17' 9"	6.10 m to 5.42 m
Maximum Height with Banner	30' 9"	9.36 m
Type of Surface	Fibreglass bonded on steel	
Lifting Capacity †	12000 lb	5443 kg
Load Bearing Capacity †	18500 lb	8391 kg
6 Rigging Points	1000 lb each	454 kg each
4 Rigging Bars	30 lb/lin. ft	45 kg/lin. m
4 Trusses - Central Roof (2), Downstage & Upstage	2000 lb each or 30 lb/lin. ft	907 kg each or 45 kg/lin. m
2 Front Overhang Extensions - 4' 9" (1.4 m)	750 lb each at 42"	340 kg each at 1.08 m
2 Front Overhang Extensions - 8' (2.4 m)	350 lb each at 42"	159 kg each at 1.08 m
2 Lateral Overhang Rigging Beams	2500 lb each at 6' 4"	1134 kg each at 1.93 m

PRACTICAL ASPECTS

Installation Time once Levelling Complete	1.5 Hour - Less without windwalls
Personnel Required	1 Certified technician and 1 stagehand
Site Preparation	None
Heavy Machinery Required	None
Mode of Transportation	1 Fifth-wheel tractor
Gust Wind Resistance	60 mph (97 km/h) with windwall or 90 mph (145 km/h) without windwall
Promotional Visibility *	Rolling billboard or multiple banner options
Windwalls *	Weatherproof - fire retardant vinyl or scrim (blow-through material)
Vertical and Horizontal Banner Supports *	Quick to install - Offers close to 714 sqft. (66 m ²) of promotional space
Floor Extension Platforms *	Integrated brackets - easy to install
Line Array Rigging Beams *	Reversible, slides down and crosses over overhang rigging beams

Values indicated are nominal. Due to STAGELINE'S product improvement policy, technical specifications may change without notice.

† Please refer to rigging plan.

* Offered in option.

450 589-1063

Fax: 450 589-1711

1-800-267-8243 In N.A.

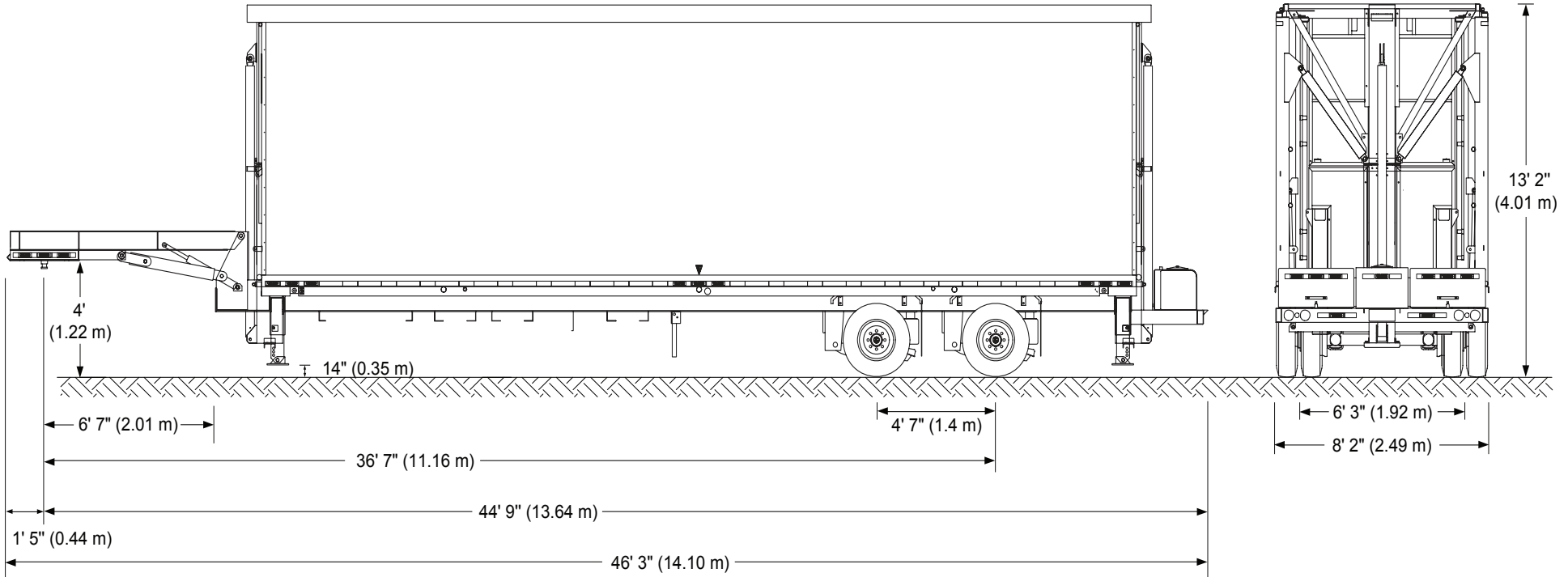
info@stageline.com

www.stageline.com



700 Marsolais Street
 L'Assomption, Quebec
 Canada J5W 2G9
 Tel: (450) 589-1063
 or 1-800-267-8243
 Téléc. : (450) 589-1711
 Fax: (450) 589-1711
 info@stageline.com

Stageline SL 260



Mass	Unladen		Laden	
	Lb	Kg	Lb	Kg
Total Mass	29400	13335	39400	17872
Mass on Axle	21700	9840	-	-
Allowable Load on Axle	-	-	34000	15454
Mass on Gooseneck	7700	3490	-	-
Allowable Load on Gooseneck	-	-	-	-

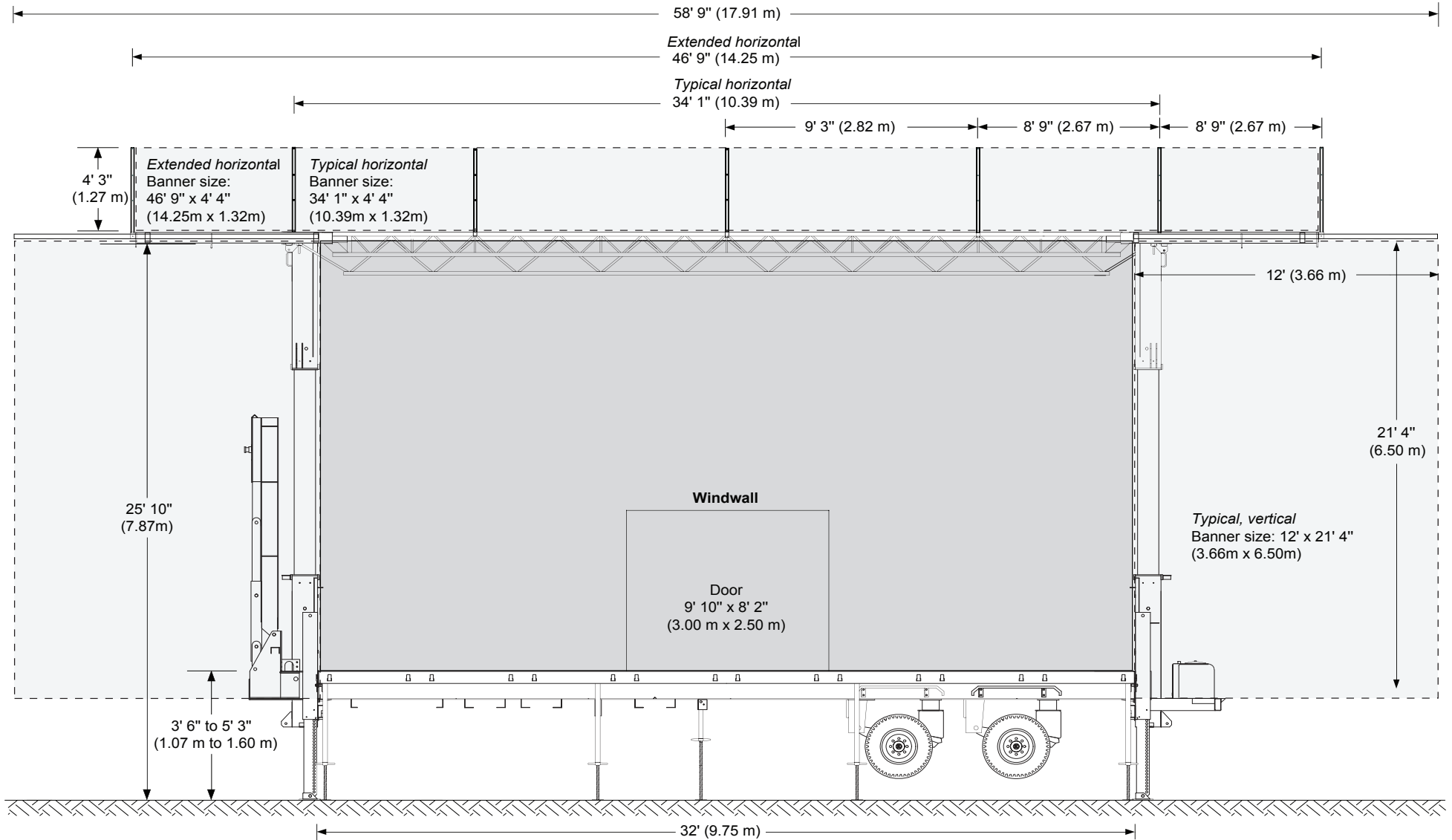
Mass & Dimensions

1. Mass may vary depending on options.
 2. Technical specifications may change without notice.
 3. Drawings are not to scale.



700 Marsolais Street
 L'Assomption, Quebec
 Canada J5W 2G9
 Tel: (450) 589-1063
 or 1-800-267-8243
 Téléc. : (450) 589-1711
 Fax: (450) 589-1711
 info@stageline.com

Stageline SL 260



Front View with Windwall & Banner

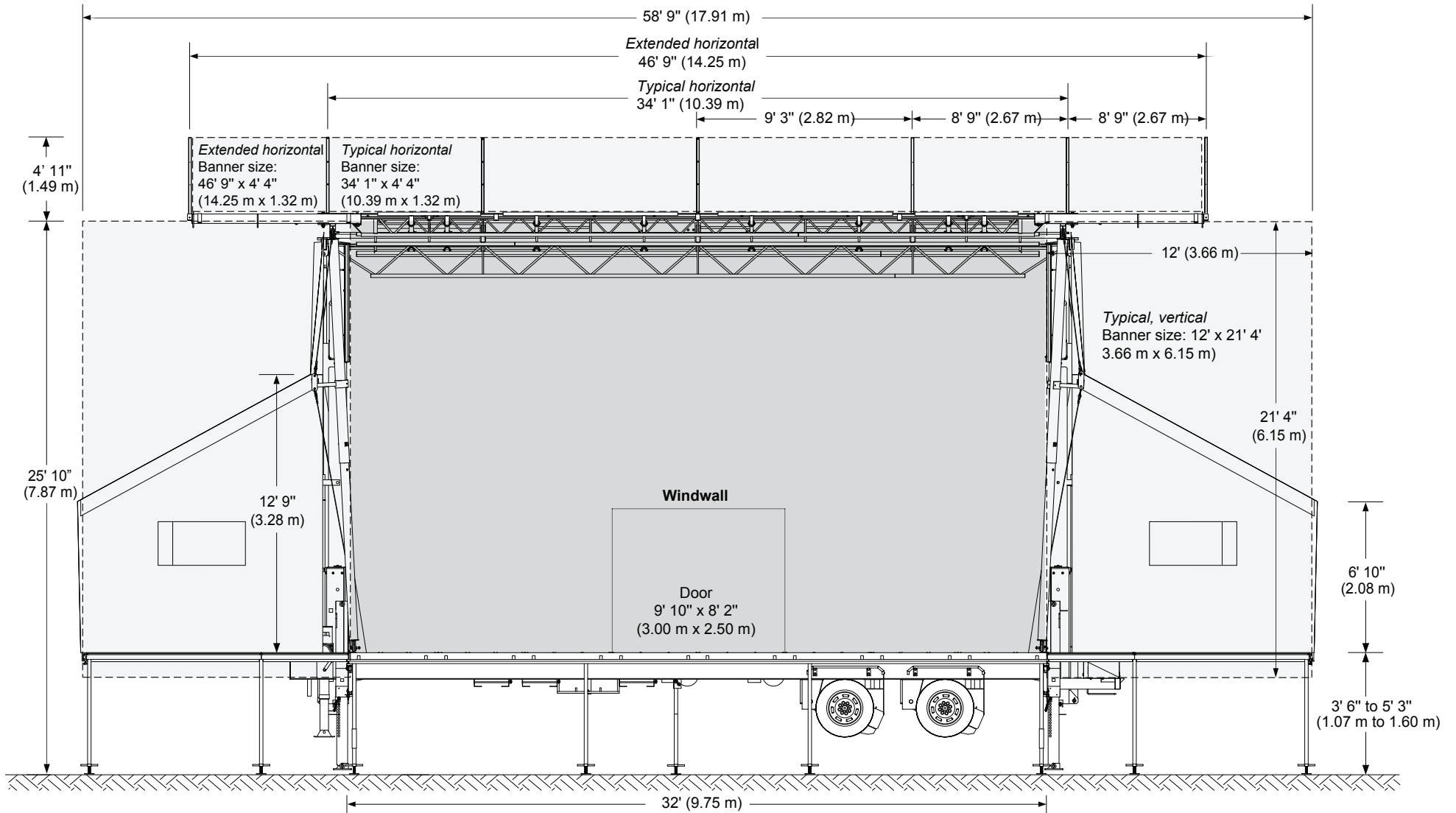
Stage specifications subject to change without notice. Figures are nominal.

© 2010 - All rights reserved, Stageline Mobile Stage inc. Any and all forms of adaptation or reproduction of this document including plans and drawings found herein, in whole or in part, are strictly forbidden without the written authorisation of Stageline Mobile Stage inc.



700 Marsolais Street
 L'Assomption, Quebec
 Canada J5W 2G9
 Tel: (450) 589-1063
 or 1-800-267-8243
 Téléc. : (450) 589-1711
 Fax: (450) 589-1711
 info@stageline.com

Stageline SL 260

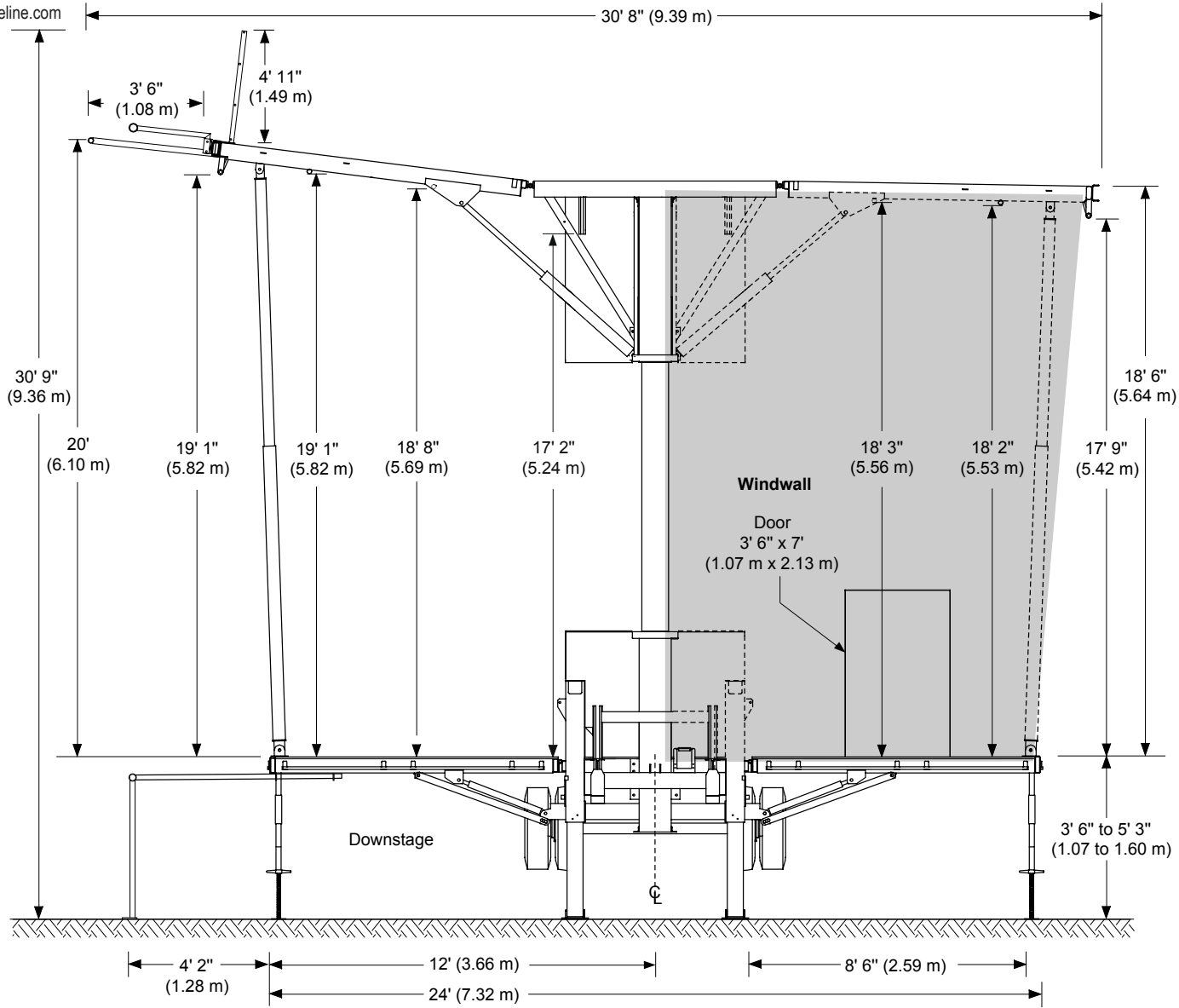


Front View with Windwall, Banner & Covered Wings



700 Marsolais Street
 L'Assomption, Quebec
 Canada J5W 2G9
 Tel: (450) 589-1063
 or 1-800-267-8243
 Téléc. : (450) 589-1711
 Fax: (450) 589-1711
 info@stageline.com

Stageline SL 260

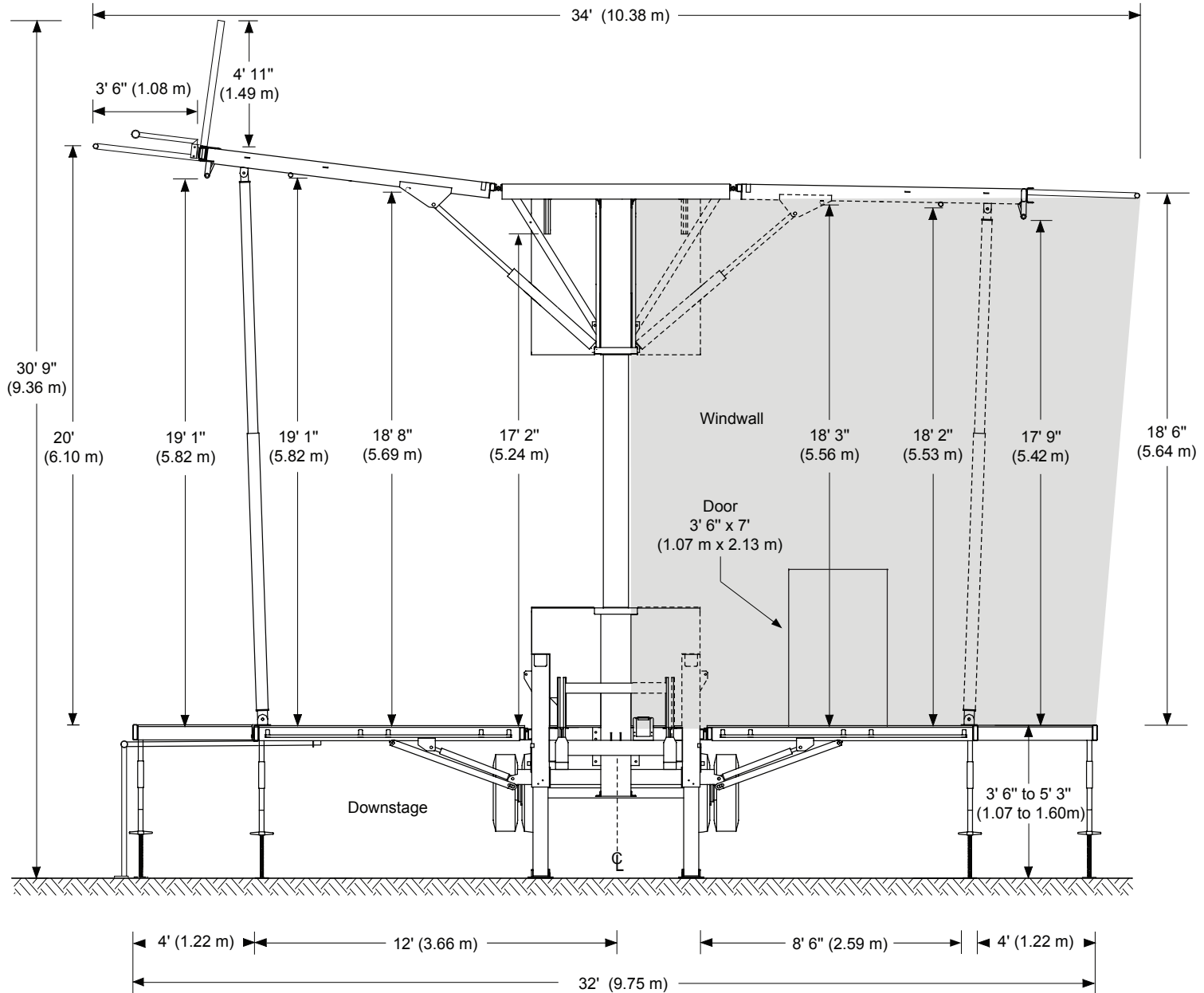


Side View with Windwall & Banner



700 Marsolais Street
L'Assomption, Quebec
Canada J5W 2G9
Tel: (450) 589-1063
or 1-800-267-8243
Télec. : (450) 589-1711
Fax: (450) 589-1711
info@stageline.com

Stageline SL 260

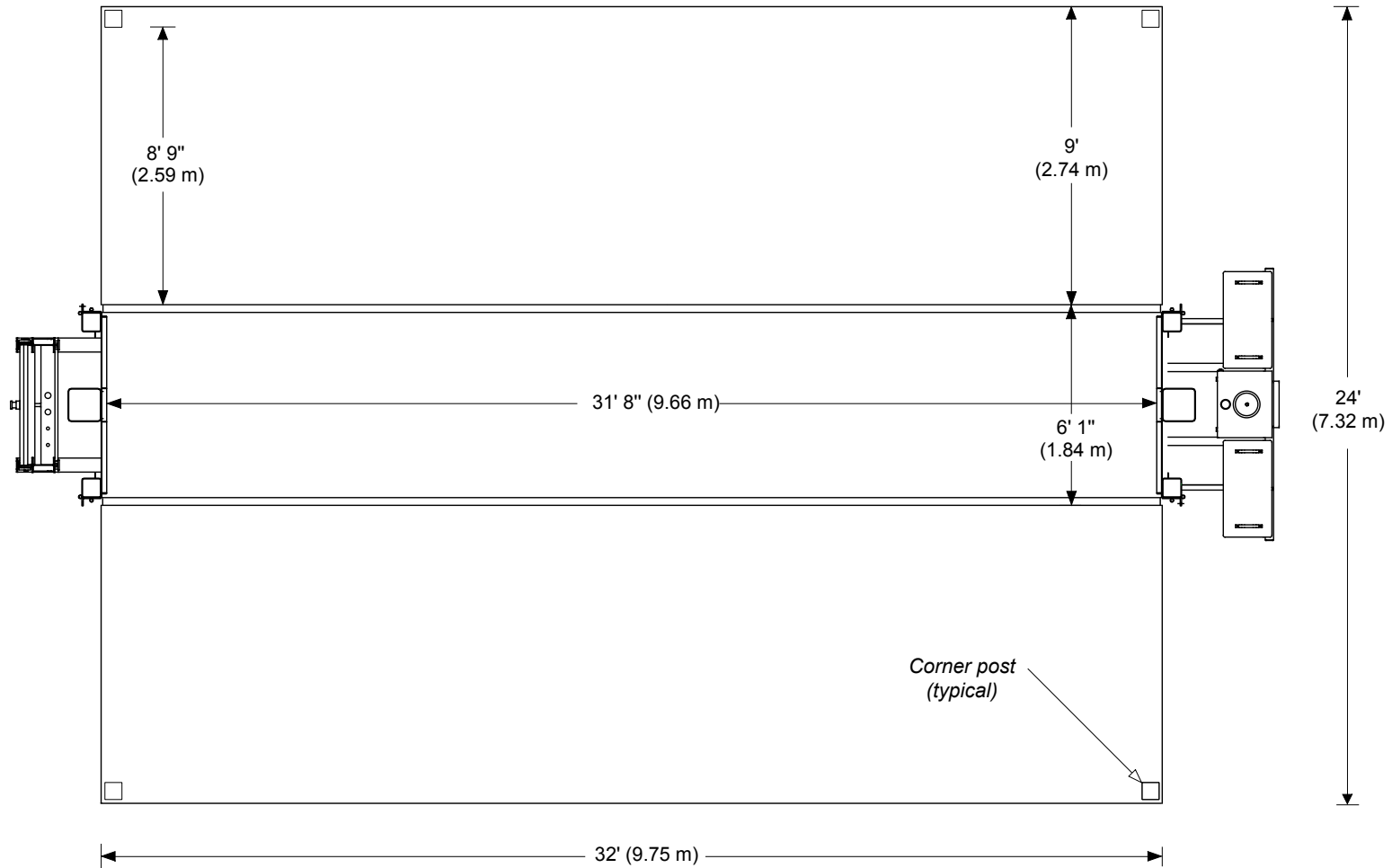


Side View with Extension Platforms



700 Marsolais Street
L'Assomption, Quebec
Canada J5W 2G9
Tel: (450) 589-1063
or 1-800-267-8243
Télec. : (450) 589-1711
Fax: (450) 589-1711
info@stageline.com

Stageline SL 260



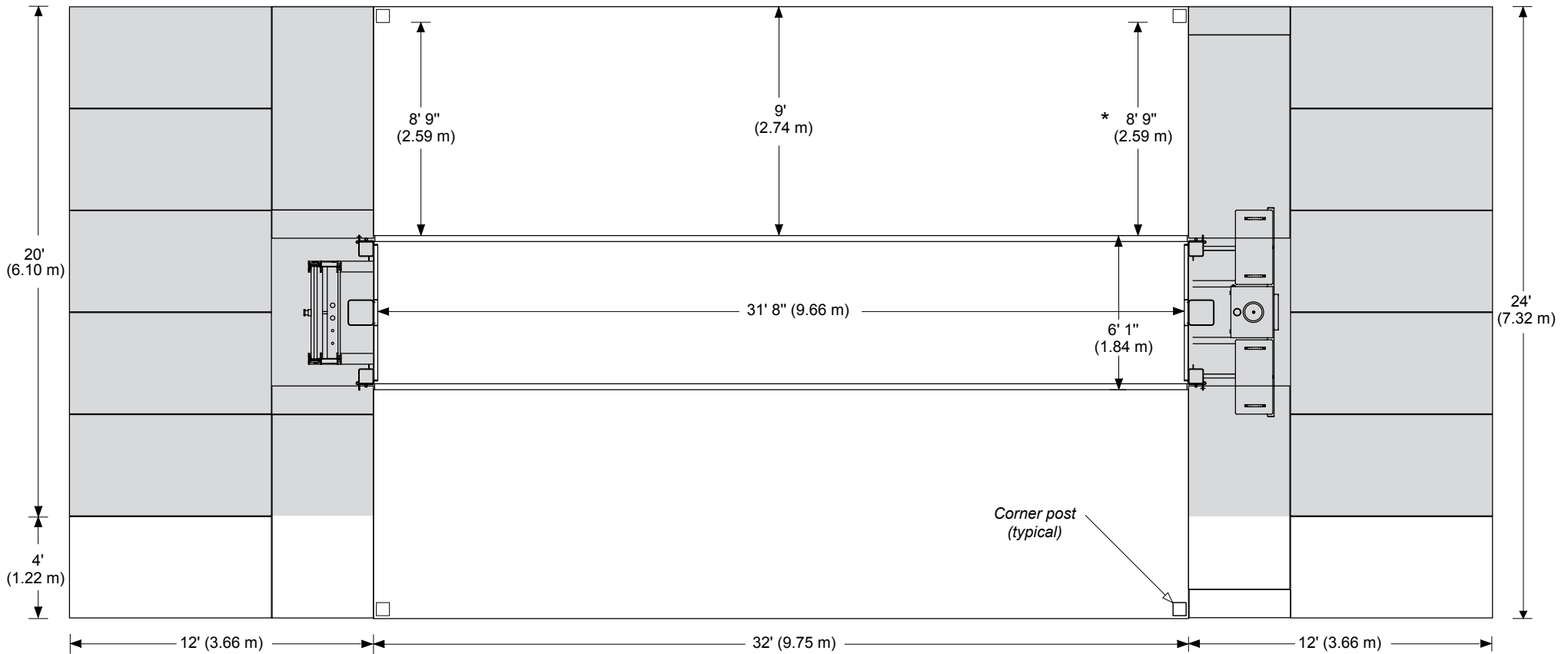
Downstage
Capacity: 100 lb/ft² (490 kg/m²)

Floor View



700 Marsolais Street
 L'Assomption, Quebec
 Canada J5W 2G9
 Tel: (450) 589-1063
 or 1-800-267-8243
 Téléc. : (450) 589-1711
 Fax: (450) 589-1711
 info@stageline.com

Stageline SL 260



Covered section:
 12' x 20'
 (3.66m x 6.10m)

Downstage
 Capacity: 100 lb/ft² (490 kg/m²)

* Please refer to stage specification for nominal value

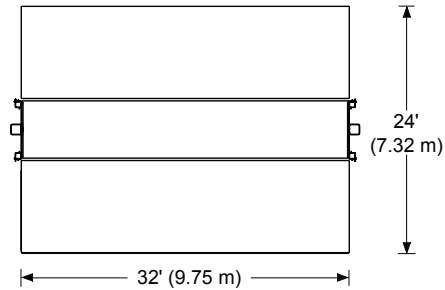
Floor View with Covered Wings



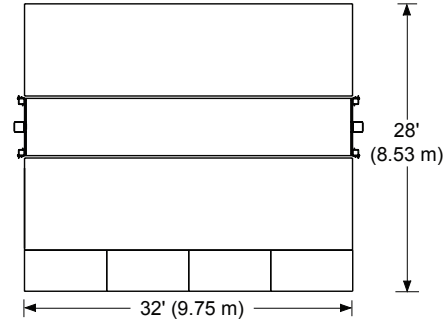
700 Marsolais Street
 L'Assomption, Quebec
 Canada J5W 2G9
 Tel: (450) 589-1063
 or 1-800-267-8243
 Téléc. : (450) 589-1711
 Fax: (450) 589-1711
 info@stageline.com

Stageline SL 260

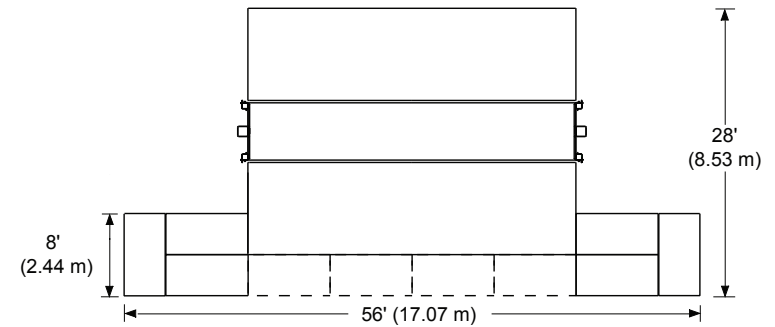
Standard



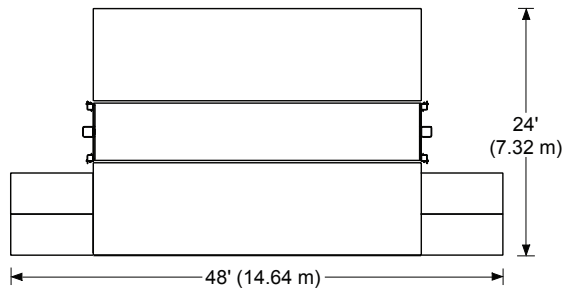
Downstage Upgrade Package D
 32' x 28'



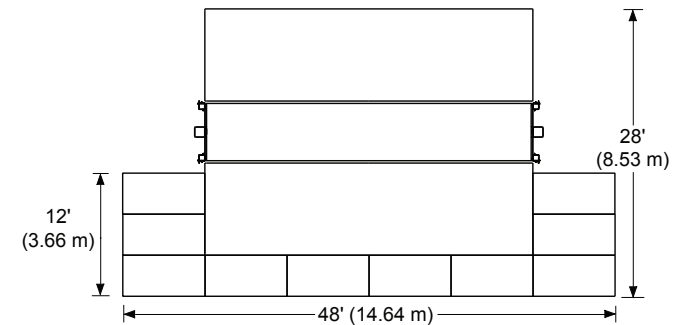
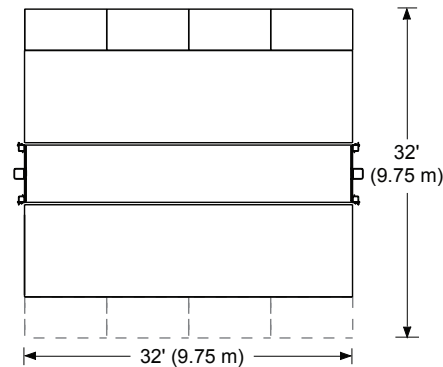
Other Available Configurations




Sound Wing Deck Package B



Upstage Upgrade Package E
 32' x 32'



 = 4' x 8' (1.22 m x 2.44 m)

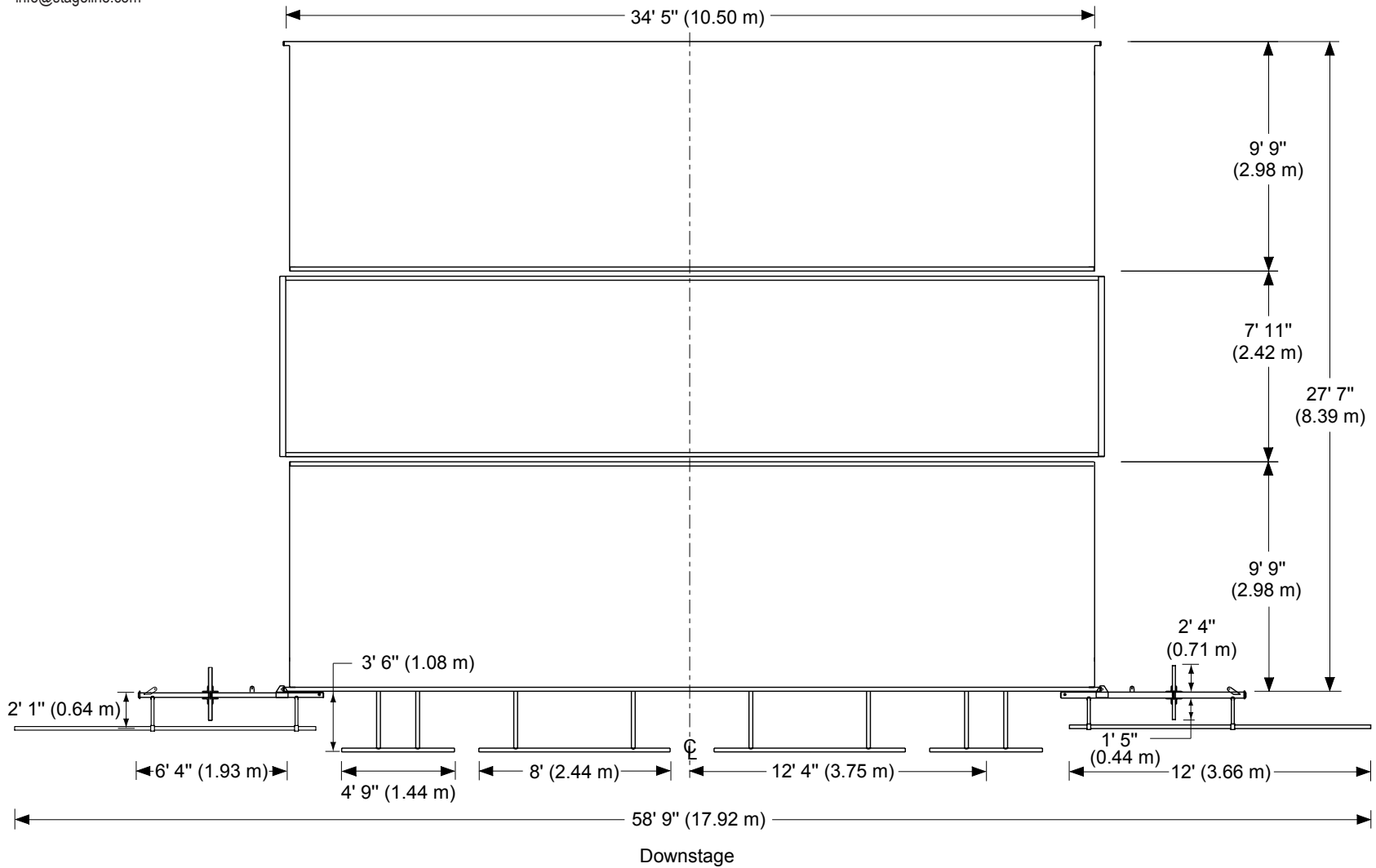
N.B. One guardrail per 4' (1.22 m)

Extension Platform Layouts



700 Marsolais Street
L'Assomption, Quebec
Canada J5W 2G9
Tel: (450) 589-1063
or 1-800-267-8243
Télec. : (450) 589-1711
Fax: (450) 589-1711
info@stageline.com

Stageline SL 260

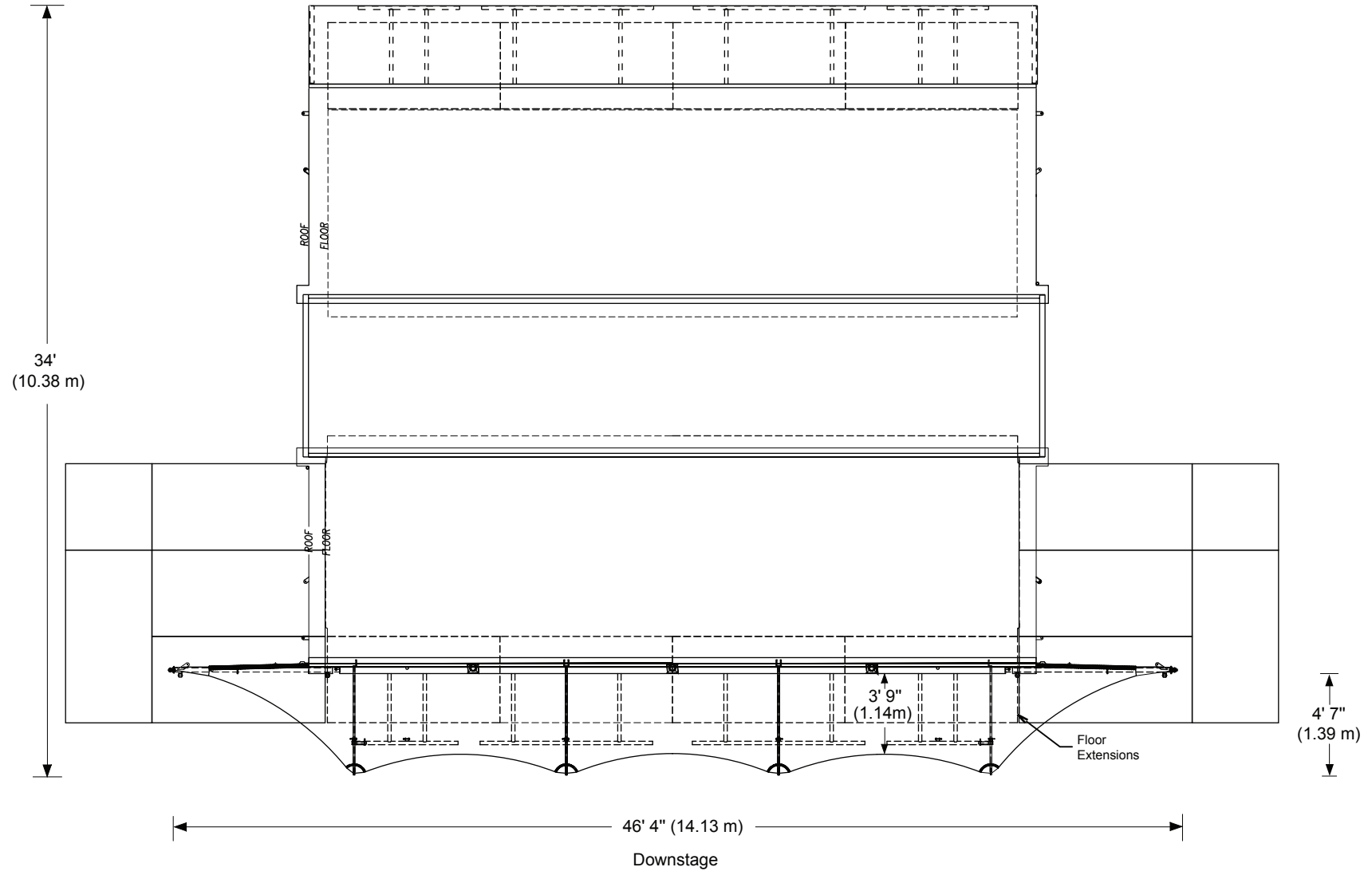


Roof View



700 Marsolais Street
L'Assomption, Quebec
Canada J5W 2G9
Tel: (450) 589-1063
or 1-800-267-8243
Télec. : (450) 589-1711
Fax: (450) 589-1711
info@stageline.com

Stageline SL 260



Roof View one Canopy



700 Marsolais Street
L'Assomption, Quebec
Canada J5W 2G9
Tel: (450) 589-1063
or 1-800-267-8243
Télec. : (450) 589-1711
Fax: (450) 589-1711
info@stageline.com

Stageline SL 260

A thorough understanding of the inter-related loadings shown in this rigging plan is needed in order to safely use this mobile stage roof and to take full advantage of the many rigging opportunities it offers.

This mobile stage roof offers a variety of rigging options with regard to load capacity, placement and type.

There are trusses, rigging pipes, front overhang rigging pipes, side overhang rigging beams, line array rigging beams and roof rigging points.

This rigging plan locates and defines these rigging features, includes load capacity for each and describes maximum combinations of loads amongst features.

Take note of exclusions, maximum sub-totals in a group, load balance requirements, maximum lifting capacity of roof and maximum rigging load on roof.

The maximum load on the roof is less than the sum of the maximum load on each rigging feature.

Rigging Point Maximum Load Capacity		
Point No.	Lb	Kg
P16	2500	1134
P14, P15 & P17	2000	907
P1, P5, P6 & P11	1000	454
P2, P7 & P13	750	340
P3 & P8	600	272
P4, P9 & P10	500	227
P12	350	159

RIGGING RESTRICTIONS

Use both P1s, P2s, P3s, etc. or P10 alone or 30 lb/lin. ft (45 kg/lin. m)

Total load of both P12s and both P13s must not exceed 1500 lb (680 Kg).

Load on each P12 must be uniformly distributed.

Load on each P13 must be uniformly distributed or concentrated to steel hook.

Total load of P14 to P17 at each side must not exceed 2225 lb (1009 Kg) when banner is installed.

Total load of P14 to P17 at each side must not exceed 2500 lb (1134 Kg) when banner support is **NOT** installed.

Never use P17 concurrently with P14 or P15 at a given side.

Never use rigging pipes concurrently with P11s.

Do not load more than 30 lb/lin. ft (45 kg/lin. m) per rigging pipes.

Do not load downstage roof panel with more than 250 lb (113 Kg) when corner post are in a 45 degrees angle

LIFTING RESTRICTIONS

Maximum asymmetric load difference between downstage and upstage roof panels must not exceed 2000 lb (907 kg).

Notes:

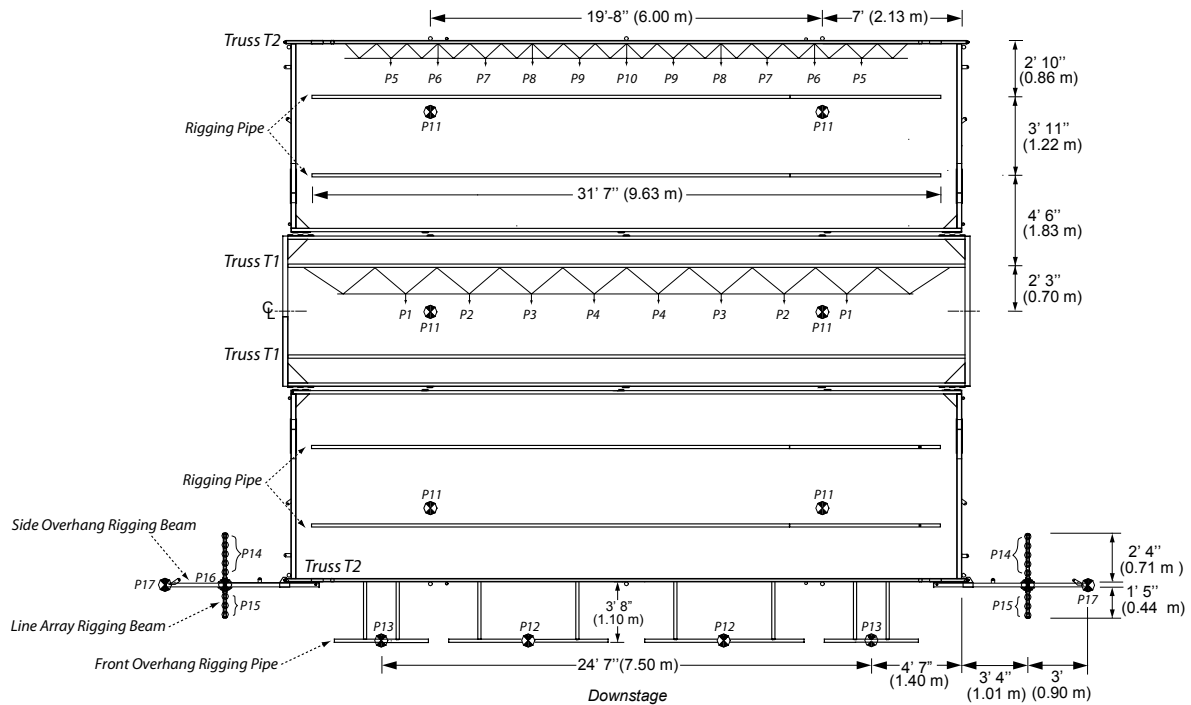
Outside diameter of rigging bars and of lower chord of trusses is 2" (5 cm).

Distance between rigging pipe and roof is 4" (10 cm).

Distance between each lower chord node on T1 is 3' 4" (1.00 m).

Distance between each lower chord node on T2 is 1' 8" (0.50 m).

Line array rigging beams are reversible.



MAXIMUM ROOF LIFTING CAPACITY: 12000 LB (5443 KG)

MAXIMUM LOAD BEARING CAPACITY: 18000 LB (8391 KG) *

*All corner posts must be installed and pinned.

Rigging Plan - Unit No. 389 and Up



700 Marsolais Street
L'Assomption, Quebec
Canada J5W 2G9
Tel: (450) 589-1063
or 1-800-267-8243
Télec. : (450) 589-1711
Fax: (450) 589-1711
info@stageline.com

Stageline SL 260

A thorough understanding of the inter-related loadings shown in this rigging plan is needed in order to safely use this mobile stage roof and to take full advantage of the many rigging opportunities it offers.

This mobile stage roof offers a variety of rigging options with regard to load capacity, placement and type.

There are trusses, rigging pipes, front overhang rigging pipes, side overhang rigging beams, line array rigging beams and roof rigging points.

This rigging plan locates and defines these rigging features, includes load capacity for each and describes maximum combinations of loads amongst features.

Take note of exclusions, maximum sub-totals in a group, load balance requirements, maximum lifting capacity of roof and maximum rigging load on roof.

The maximum load on the roof is less than the sum of the maximum load on each rigging feature.

Rigging Point Maximum Load Capacity		
Point No.	Lb	Kg
P16	2500	1134
P14, P15 & P17	2000	907
P1, P5, P6 & P11	1000	454
P2, P7 & P13	750	340
P3 & P8	600	272
P4, P9 & P10	500	227
P12	350	159

RIGGING RESTRICTIONS

Use both P1s, P2s, P3s, etc. or P10 alone or 30 lb/lin. ft (45 kg/lin. m)

Total load of both P12s and both P13s must not exceed 1500 lb (680 Kg).

Load on each P12 must be uniformly distributed.

Load on each P13 must be uniformly distributed or concentrated to steel hook.

Total load of P14 to P17 at each side must not exceed 2225 lb (1009 Kg) when banner is installed.

Total load of P14 to P17 at each side must not exceed 2500 lb (1134 Kg) when banner support is **NOT** installed.

Never use P17 concurrently with P14 or P15 at a given side.

Never use rigging pipes concurrently with P11s.

Do not load more than 30 lb/lin. ft (45 kg/lin. m) per rigging pipes.

Do not load downstage roof panel with more than 250 lb (113 Kg) when corner post are in a 45 degrees angle

Do not load upstage P12 to P17 whenever upstage windwall overlap rear overhang pipes

LIFTING RESTRICTIONS

Maximum asymmetric load difference between downstage and upstage roof panels must not exceed 2000 lb (907 kg).

Notes:

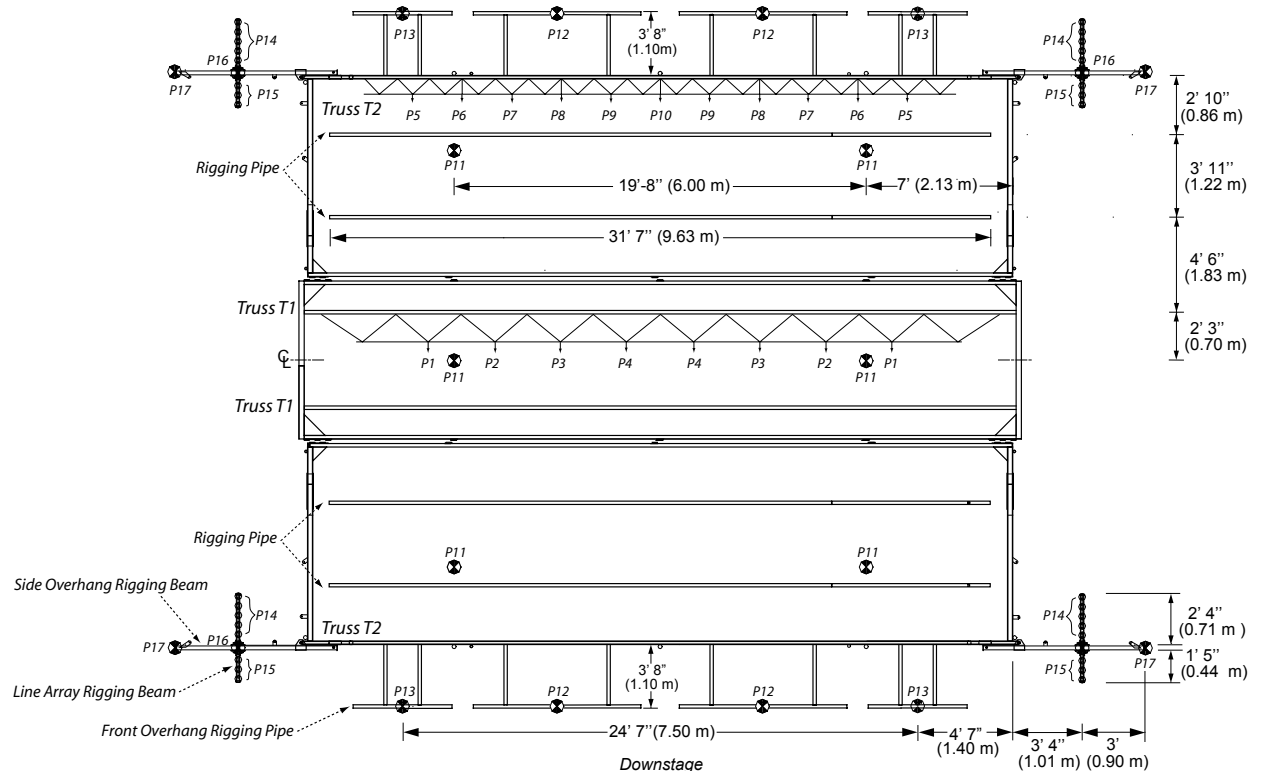
Outside diameter of rigging bars and of lower chord of trusses is 2" (5 cm).

Distance between rigging pipe and roof is 4" (10 cm).

Distance between each lower chord node on T1 is 3' 4" (1.00 m).

Distance between each lower chord node on T2 is 1' 8" (0.50 m).

Line array rigging beams are reversible.



MAXIMUM ROOF LIFTING CAPACITY: 12000 LB (5443 KG)

MAXIMUM LOAD BEARING CAPACITY: 25000 LB (11340 KG) *

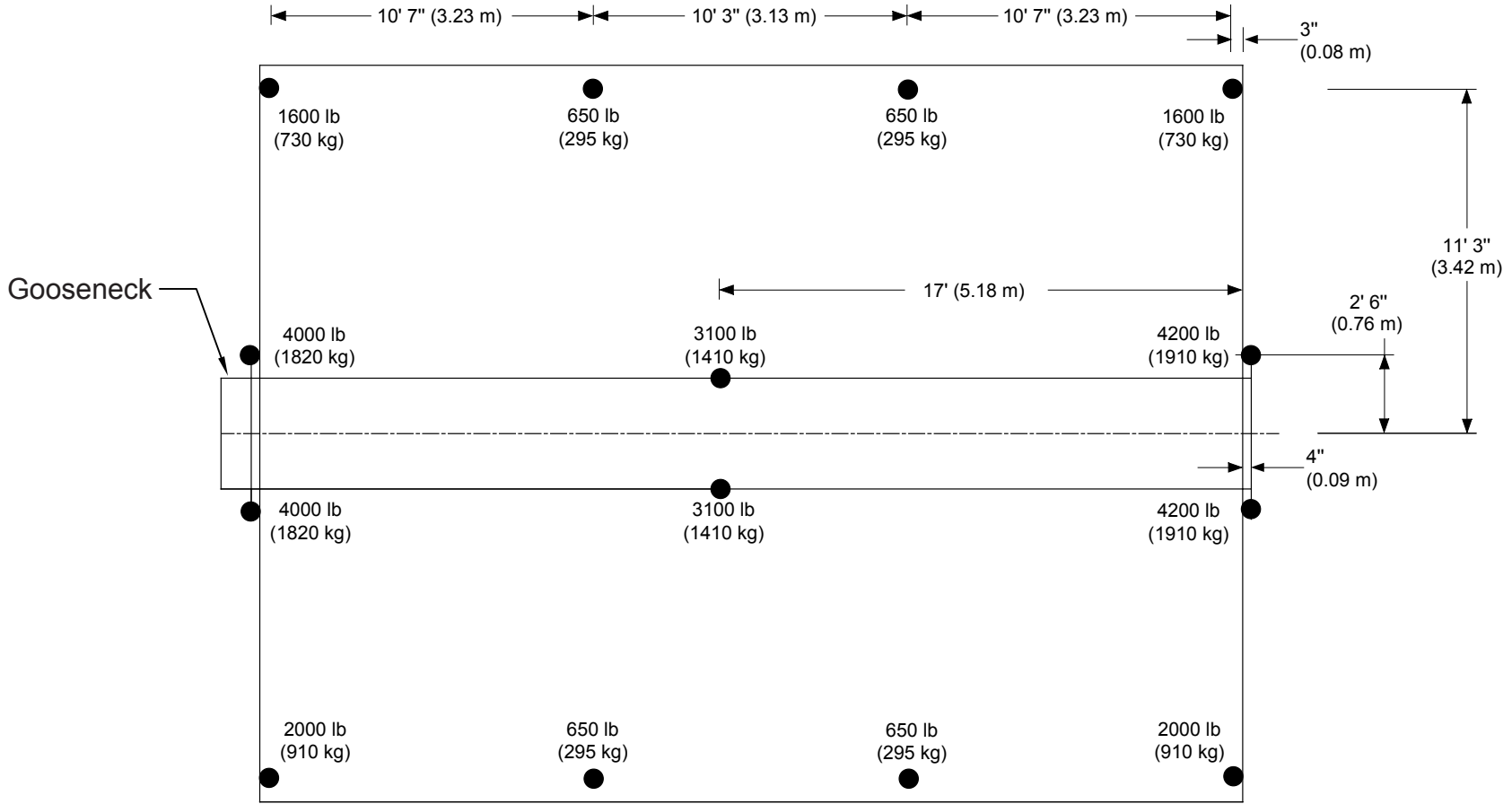
*All corner posts must be installed and pinned.

Rigging Plan Reversible - Unit No. 389 and Up



700 Marsolais Street
 L'Assomption, Quebec
 Canada J5W 2G9
 Tel: (450) 589-1063
 or 1-800-267-8243
 Téléc. : (450) 589-1711
 Fax: (450) 589-1711
 info@stageline.com

Stageline SL 260



● : Floor stabilizers, extension et levelling jacks.

Note: For additional live load information, refer to Stageline technical department.

Dead Load Ground Support